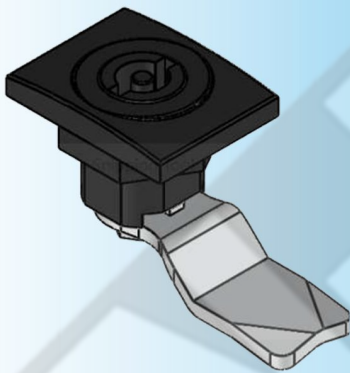


For Product Step File or 3D Model Send a Request Mail To [info@nrack.com](mailto:info@nrack.com)

Photo View



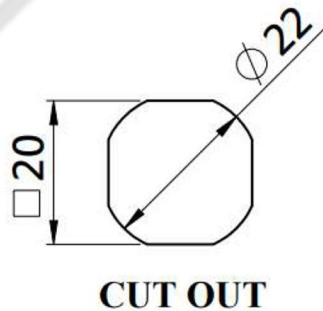
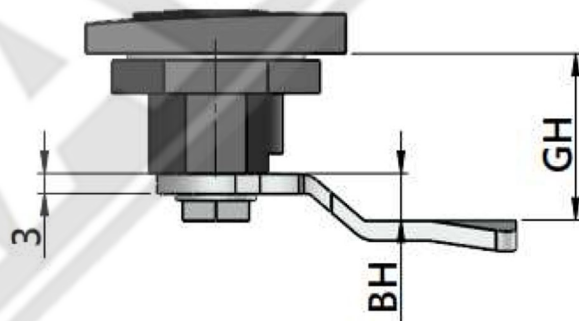
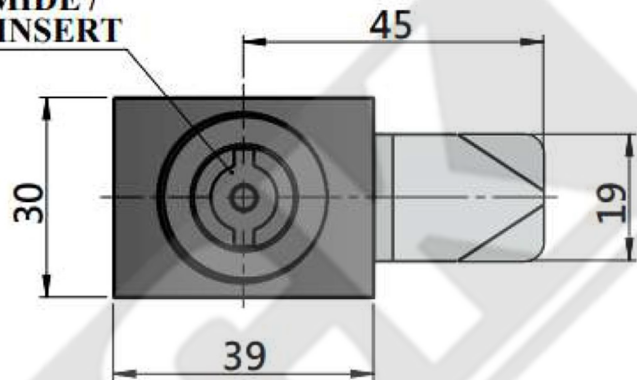
3D Rendered View



**PL - 09 AB**

- Material: PA 6,Steel-Cam,Zinc Die Casting, Polymide -Insert.
- Finish: Zinc Blue Plating-Cam

POLYMIDE /  
ZINC INSERT



GRIPPING HEIGHT (GH)	BENDING HEIGHT (BH)
25	07
30	12
35	17